

ABSOLUTE TYPE

ASC-SP

Model

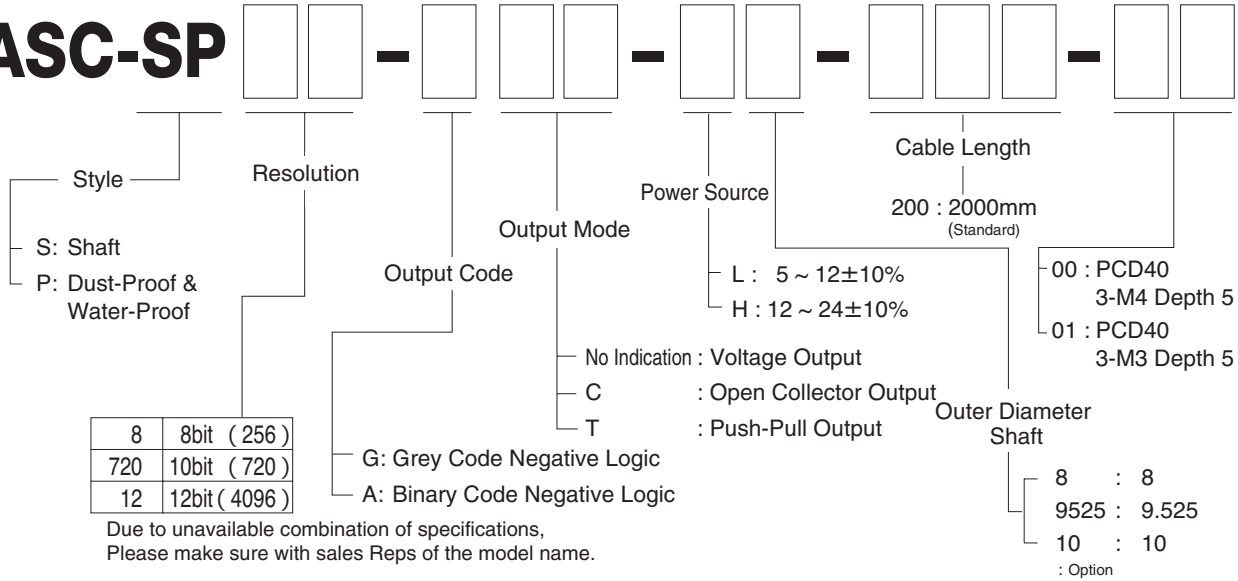


Water Proof 50 Series Models

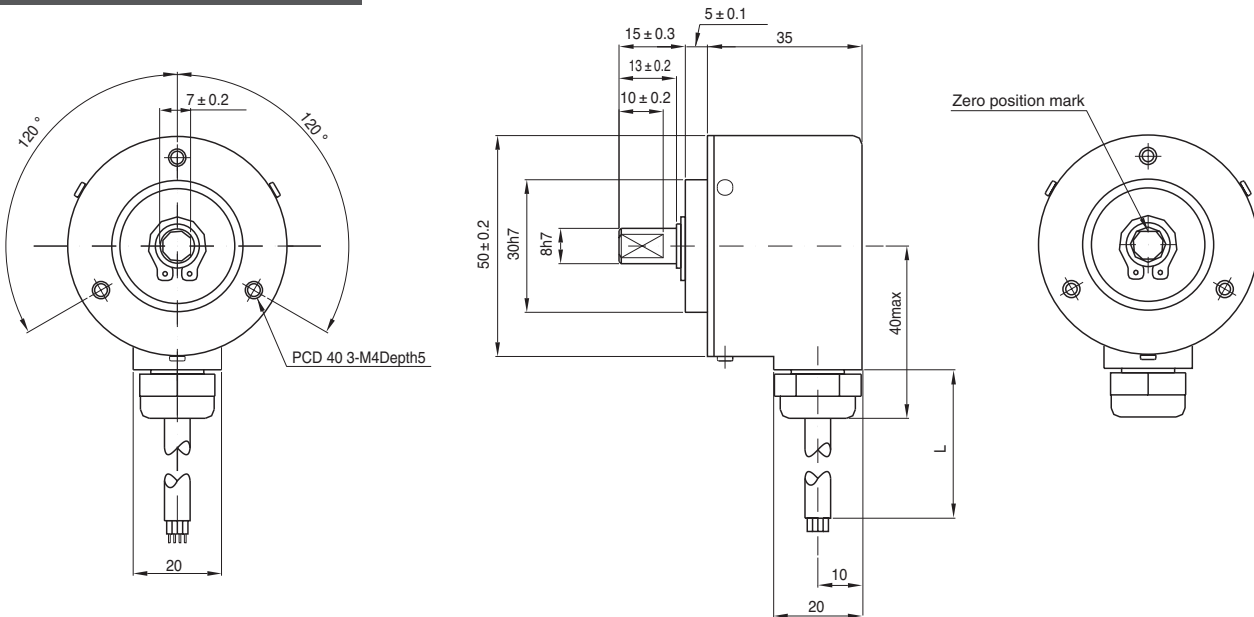
- Large Size Bearings. The Highest Shaft Load in The Class Radial 78.4N Thrust 49N.

Model

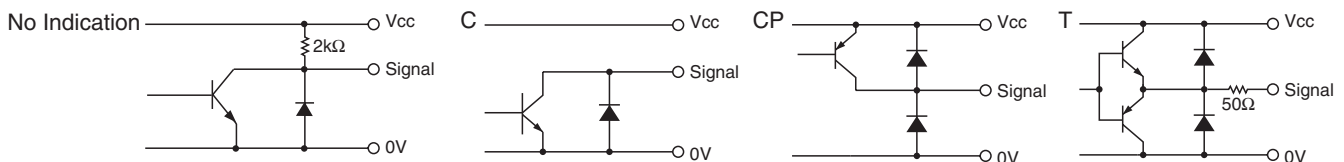
ASC-SP



External Dimension



Input & Output Current



Electrical Spec.

TYPE		G GC	CP	T
Supply Voltage		DC 4.5 ~ 13.2 V DC 21.6 ~ 26.4 V		
Requirement		100 mA Max		
Output Voltage	"H"	Within -1 Power Volt(Exclude C)		Within - 3 power volt
	"L" ※1	0.5 V Max(Exclude CP)		3 V Max
Maximum Output Current		20 mA MAX		40 mA MAX
Rise & Fall Time		2 μs Max		
Maximum Frequency Response ²		10kHz(256, 360)		20kHz(1024)

※1) at Maximum Output Current ※2) When The Lording is 5V 1K

Electrical Connections

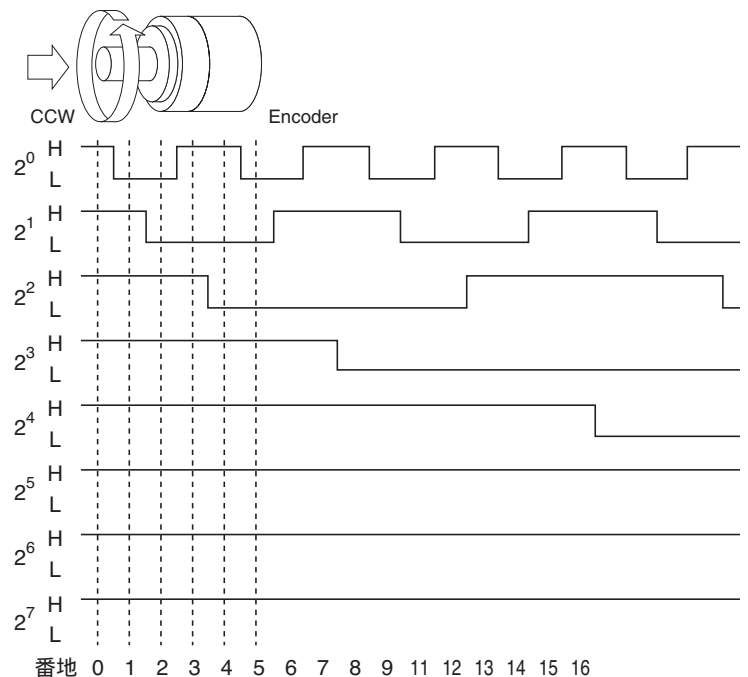
(4096)

Color of Lead Wire	Description	Color of Lead Wire	Description
Red	Power Souce	Red	Power Souce
Black	OV Common	Black	OV Common
Brown	Signal 2 ⁰	Brown	Signal 2 ⁰
Brown-White	Signal 2 ¹	Orange	Signal 2 ¹
Orange	Signal 2 ²	Yellow	Signal 2 ²
Orange-White	Signal 2 ³	Green	Signal 2 ³
Yellow	Signal 2 ⁴	Blue	Signal 2 ⁴
Yellow-White	Signal 2 ⁵	Purple	Signal 2 ⁵
Green	Signal 2 ⁶	Gray	Signal 2 ⁶
Green-White	Signal 2 ⁷	White	Signal 2 ⁷
Blue	Signal 2 ⁸	Pink	Signal 2 ⁸ Only available for 1024 split type
Blue-White	Signal 2 ⁹	Sky Blue	Signal 2 ⁹ Only available for 1024 split type
Gray	Signal 2 ¹⁰	Shielding Braid	F.G
Gray-White	Signal 2 ¹¹		
Shielding Braid	FG		

(256•720•1024)

Wave Form.

(Extract) Rotating Toward Clockwise Viewed from an Arrow=256•720•1024
Rotating Toward Counter Clockwise Viewed from an Arrow=4096



Mechanical Spec.

Starting Torque	9.8×10 ⁻³ N • m Max
Angular Acceleration	1×10 ⁵ rad/s ²
Shaft Loading	Thrust axial 49N
	Radial 78.4N
Moment of Inertia	3.2×10 ⁻⁶ kg • m ²
Maximum RPM	5000r/min(Maximum) 3000r/min(Continuous)
Net Weight (W/O Cable)	250g Max

Environmental Spec.

Operating Temperature	-10°C ~ +60°C
Storage Temperature	- 30°C ~ +85°C
Humidity	RH 85% Max No Condensation
Vibration	10 ~ 55 Hz / 1.5mm 2 h
Shock	980m/s ² , 11ms X, Y, Z Each 3 times
Degree of Protection	IP65